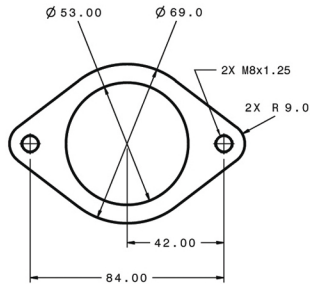
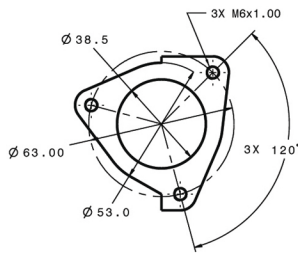


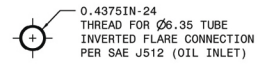
Compressor Inlet



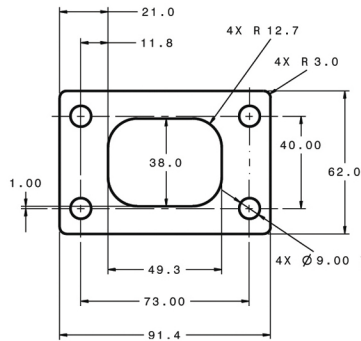
Compressor Outlet



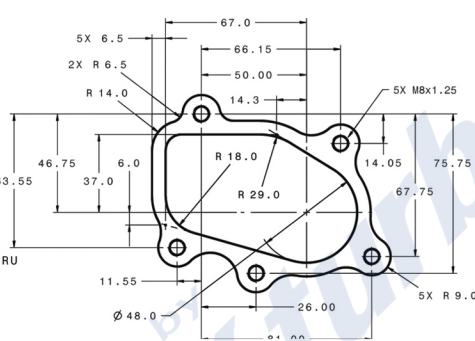
Oil Inlet



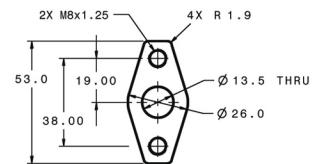
**Turbine Inlet
"T25"**



**Turbine Outlet
"5 BOLT"**

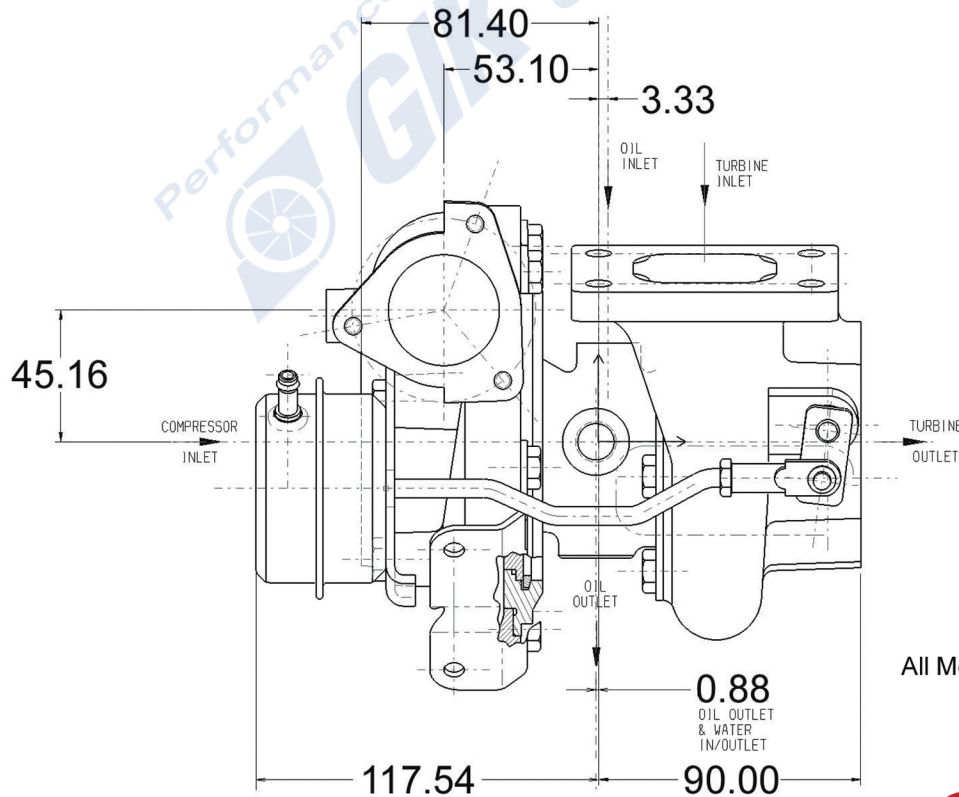


Oil Outlet



Water

M14 x 1.50



All Measurements in MM