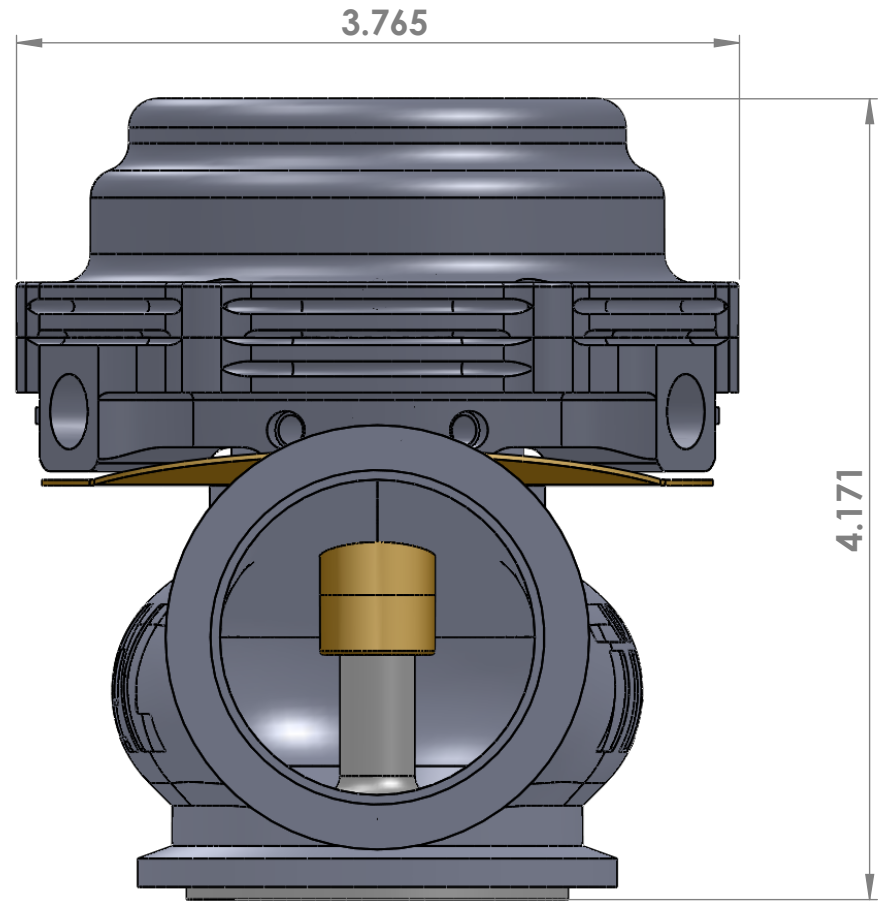
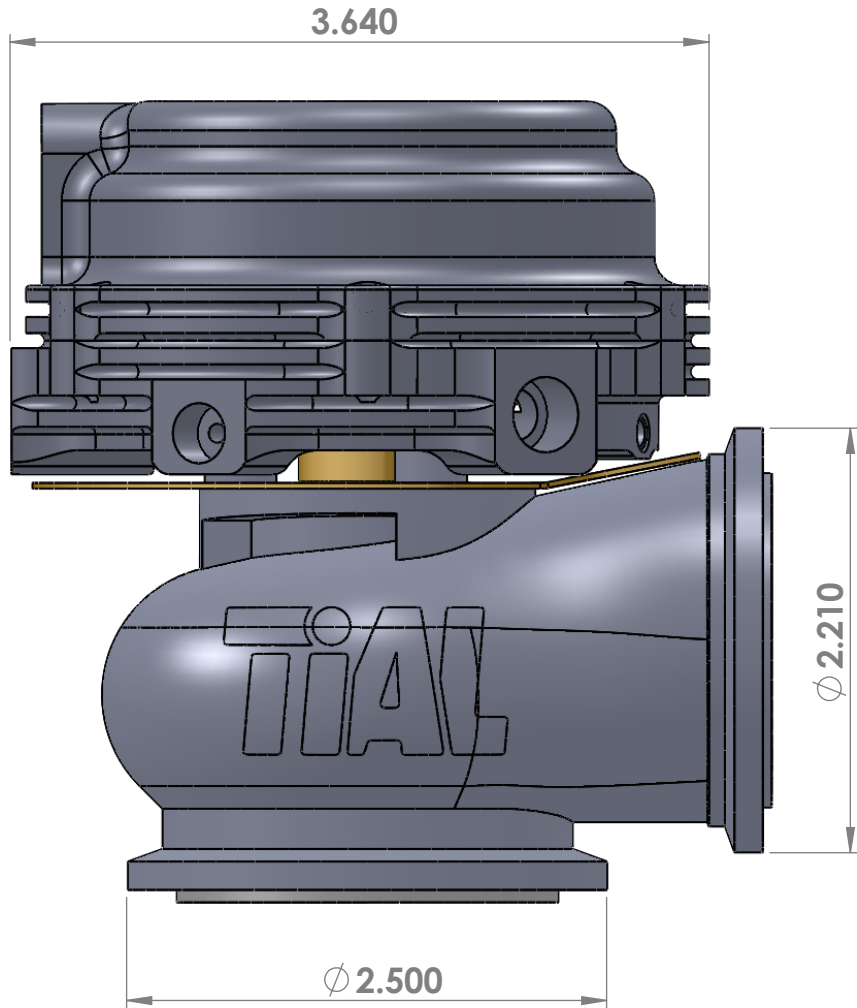


REV	DATE	REVISION	RELEASED	DWN
A	5/12/10	RELEASED	RELEASED	ES
-	-	-	-	-
-	-	-	-	-



TITLE		MV-R	
PART NO.		REV <b>A</b>	
DRAWN: ES	DATE: 5/12/10	CHECKED: ES	SHEET: 1 OF 1

PROPRIETARY AND CONFIDENTIAL  
 THE INFORMATION CONTAINED IN THIS DRAWING IS THE SOLE PROPERTY OF TIAL PRODUCTS.  
 ANY REPRODUCTION IN PART OR AS A WHOLE WITHOUT THE WRITTEN PERMISSION OF TIAL PRODUCTS IS STRICTLY PROHIBITED.

5

4

3

2

1