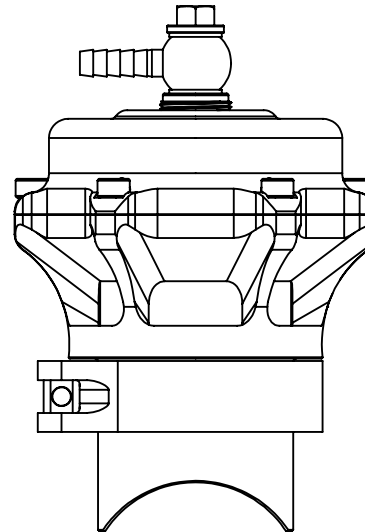
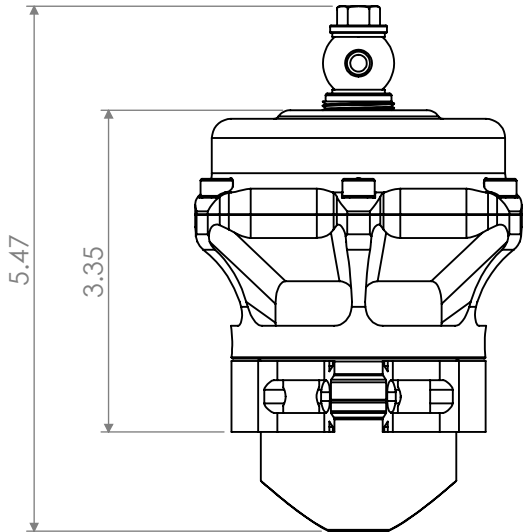
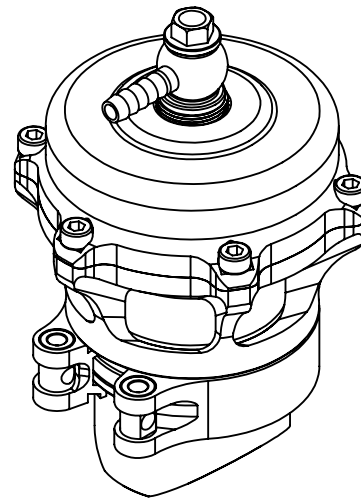
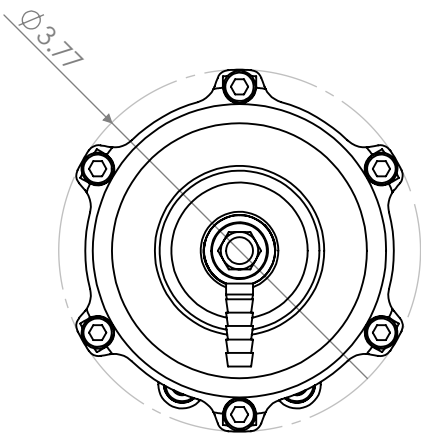


| REV | DATE | REVISION | DWN |
|-----|--------|----------|-----|
| A | 8-3-11 | RELEASED | ES |
| - | - | - | - |
| - | - | - | - |



UNLESS OTHERWISE SPECIFIED :
 DIMENSIONS ARE IN INCHES
 ANGULAR DIMENSIONS ARE IN DEGREES

TOLERANCES:
 .XX ± .1
 .XXX ± .005
 .XXXX ± .0002
 ANGULAR: ± .5 DEG
 EDGE/CORNER BREAKS .015
 FILLET RADII .015
 MAX SURFACE ROUGHNESS 125 Ra

DO NOT SCALE DRAWING

PROPRIETARY AND CONFIDENTIAL
 THE INFORMATION CONTAINED IN THIS DRAWING IS THE SOLE PROPERTY OF TIAL PRODUCTS.
 ANY REPRODUCTION IN PART OR AS A WHOLE WITHOUT THE WRITTEN PERMISSION OF TIAL
 PRODUCTS IS STRICTLY PROHIBITED.



| | | |
|---------------|----------|----------|
| TITLE | | |
| Q ASSEMBLY | | |
| SIZE | PART NO. | REV |
| A | QBVASSEM | A |
| DRAWN: | DATE: | CHECKED: |
| ES | 8-3-11 | |
| SHEET: 1 OF 1 | | |