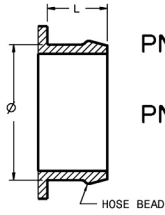


Compressor Inlet

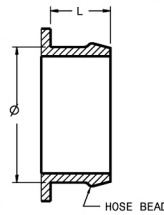
HOSE CONNECTIONS
TABULATED AS (Ø x L)



PN756021-1
Ø 69.85 x 31.75
PN756021-2
Ø 102 x 31.75

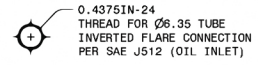
Compressor Outlet

HOSE CONNECTIONS
TABULATED AS (Ø x L)



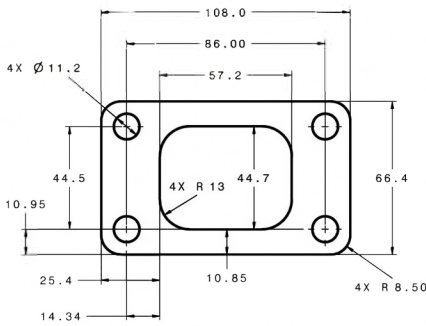
Ø 50.8 x 30

Oil Inlet



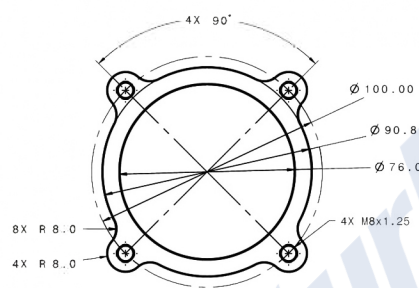
Turbine Inlet

"T3" PN74902-1, 2, 3, 7, 8, 9

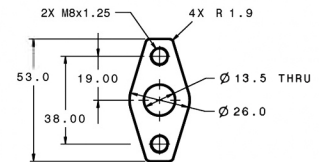


Turbine Outlet

"3-INCH 4 BOLT" PN740902-1, 2, 3



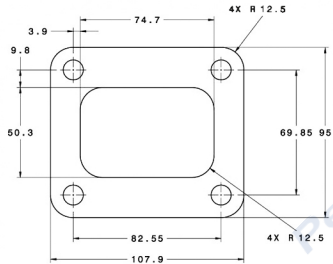
Oil Outlet



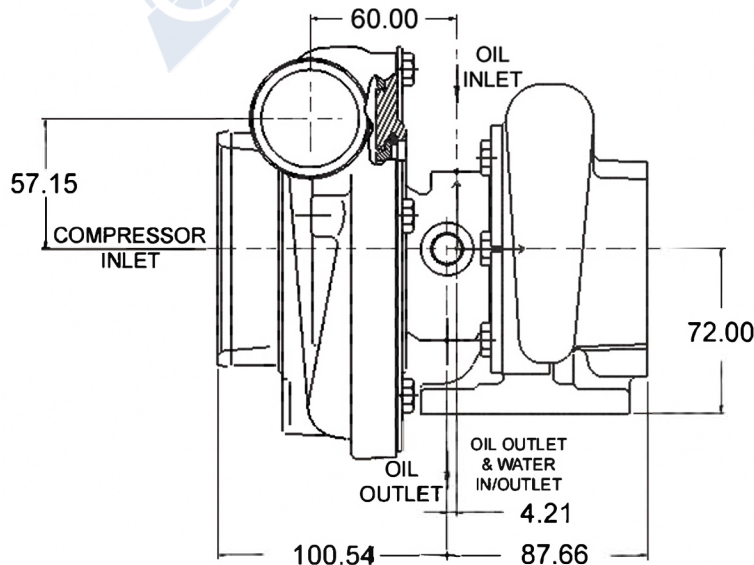
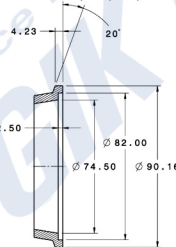
Water

M14 x 1.50

"T4 UNDIVIDED" PN740902-13, 14, 15



PN740902-7, 8, 9, 13, 14, 15



All Measurements in MM