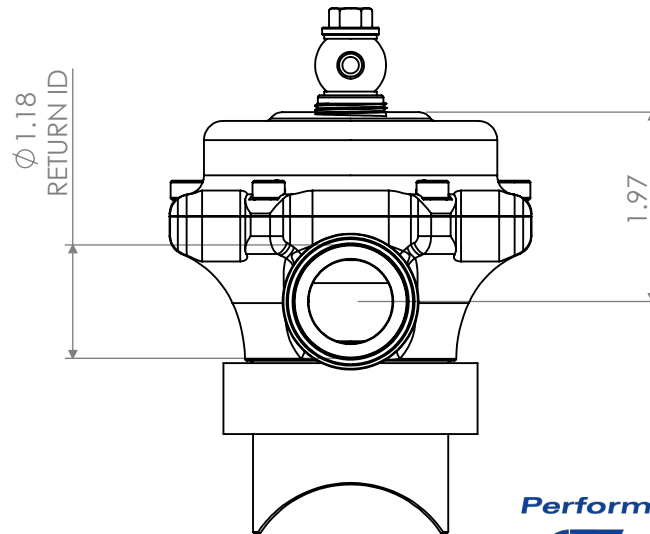
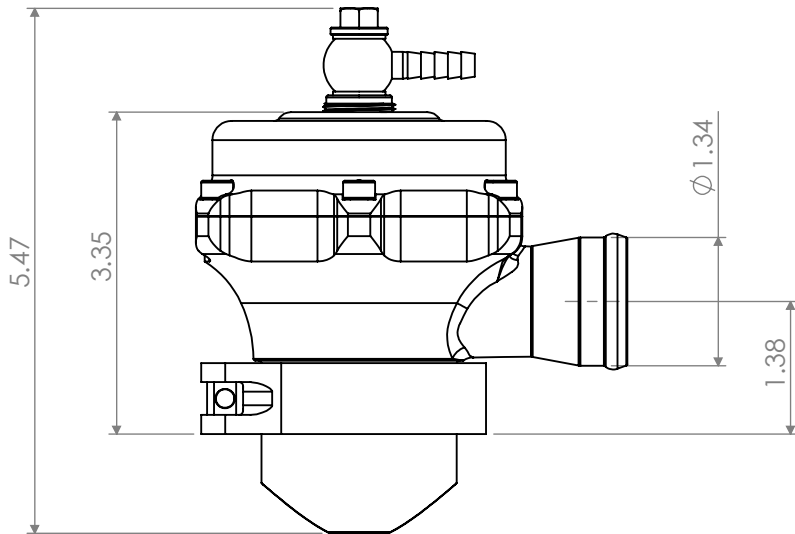
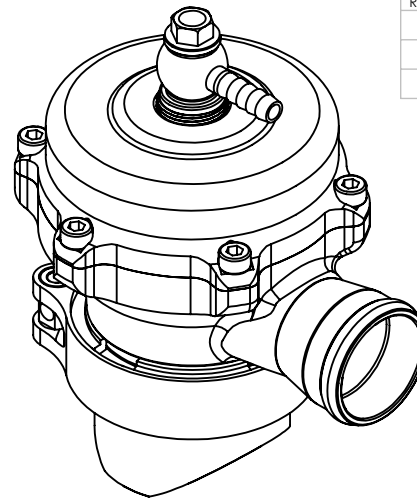
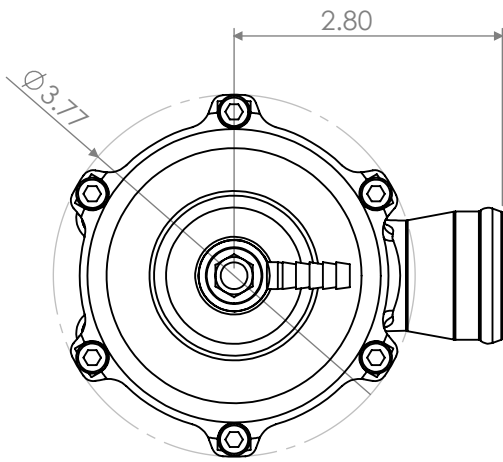


		RELEASED		DWN
REV	DATE	REVISION		
A	8-3-11	RELEASED		ES
-	-	-		-
-	-	-		-



**UNLESS OTHERWISE SPECIFIED :**  
 DIMENSIONS ARE IN INCHES  
 ANGULAR DIMENSIONS ARE IN DEGREES

TOLERANCES:  
 .XX ± .1  
 .XXX ± .005  
 .XXXX ± .0002  
 ANGULAR: ± .5 DEG  
 EDGE/CORNER BREAKS .015  
 FILLET RADII .015  
 MAX SURFACE ROUGHNESS 125 Ra

DO NOT SCALE DRAWING

**PROPRIETARY AND CONFIDENTIAL**  
 THE INFORMATION CONTAINED IN THIS DRAWING IS THE SOLE PROPERTY OF TIAL PRODUCTS.  
 ANY REPRODUCTION IN PART OR AS A WHOLE WITHOUT THE WRITTEN PERMISSION OF TIAL  
 PRODUCTS IS STRICTLY PROHIBITED.



TITLE		QR W/ 1.5 TUBE ADAPTER ASSEMBLY	
SIZE	PART NO.	REV	
A	QRBV1.5ASSEM	A	
DRAWN:	DATE:	CHECKED:	SHEET: 1 OF 1
ES	8-3-11		