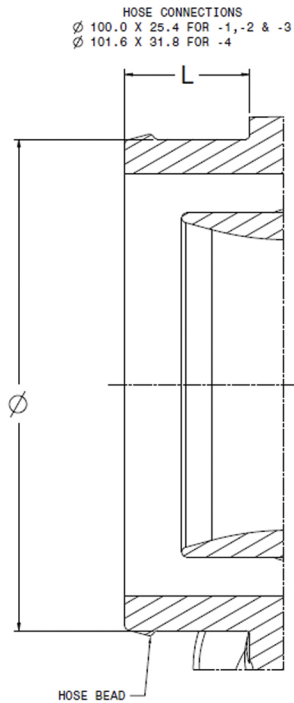
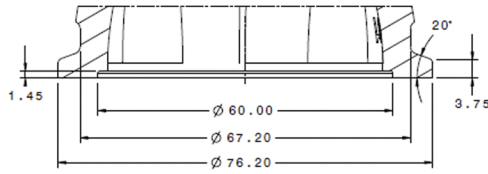


COMPRESSOR INLET



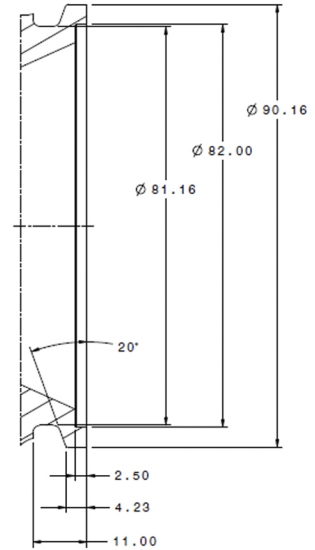
TURBINE INLET

V-BAND CONNECTIONS



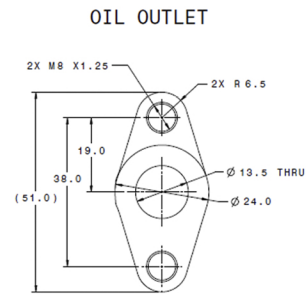
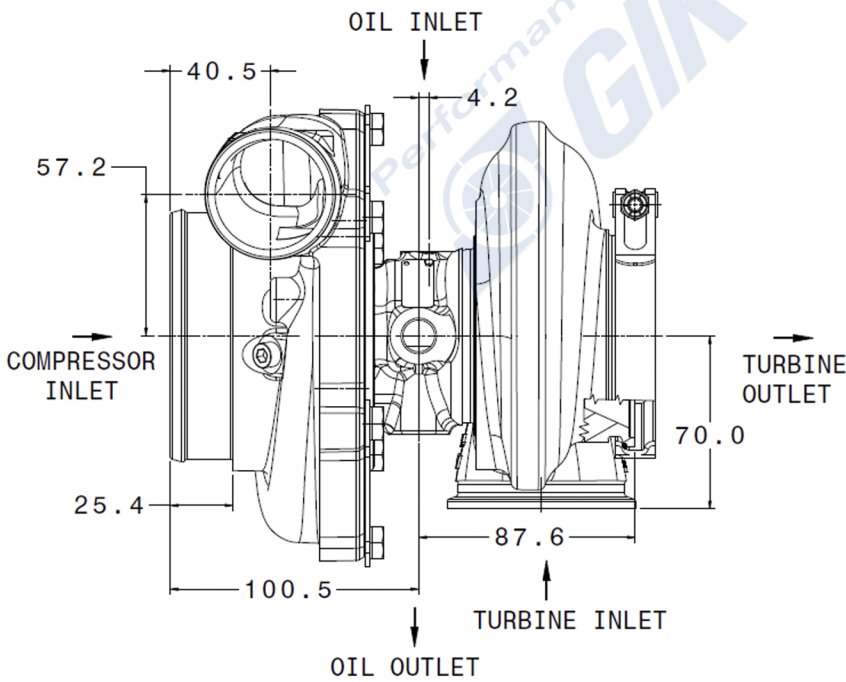
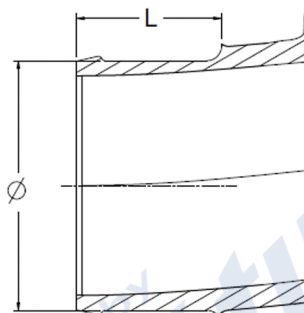
TURBINE OUTLET

V-BAND CONNECTIONS



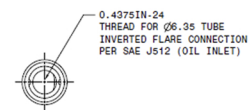
COMPRESSOR OUTLET

HOSE CONNECTIONS
 Ø 50.8 X 29.5 FOR -1, -2 & -3
 Ø 63.5 X 31.0 FOR -4



WATER
M14 X 1.50

OIL INLET



ALL MEASUREMENTS IN MM

851154-1, -2, -3