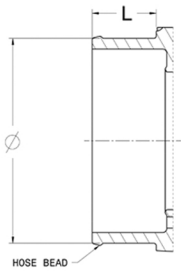
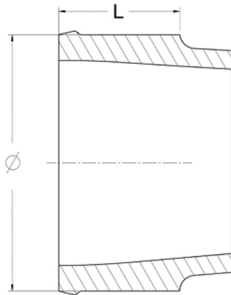


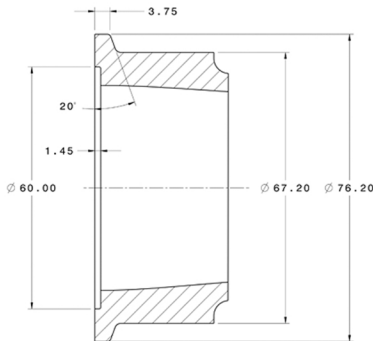
Compressor Inlet
HOSE CONNECTIONS
Ø 103.6 X 31.75



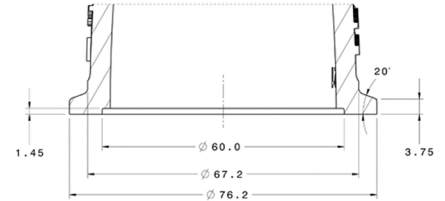
Compressor Outlet
HOSE CONNECTIONS
Ø 63.5 X 30



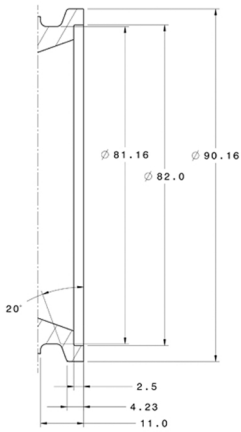
Compressor Outlet
V-BAND CONNECTIONS



Turbine Inlet
V-BAND CONNECTIONS



Turbine Outlet
V-BAND CONNECTIONS



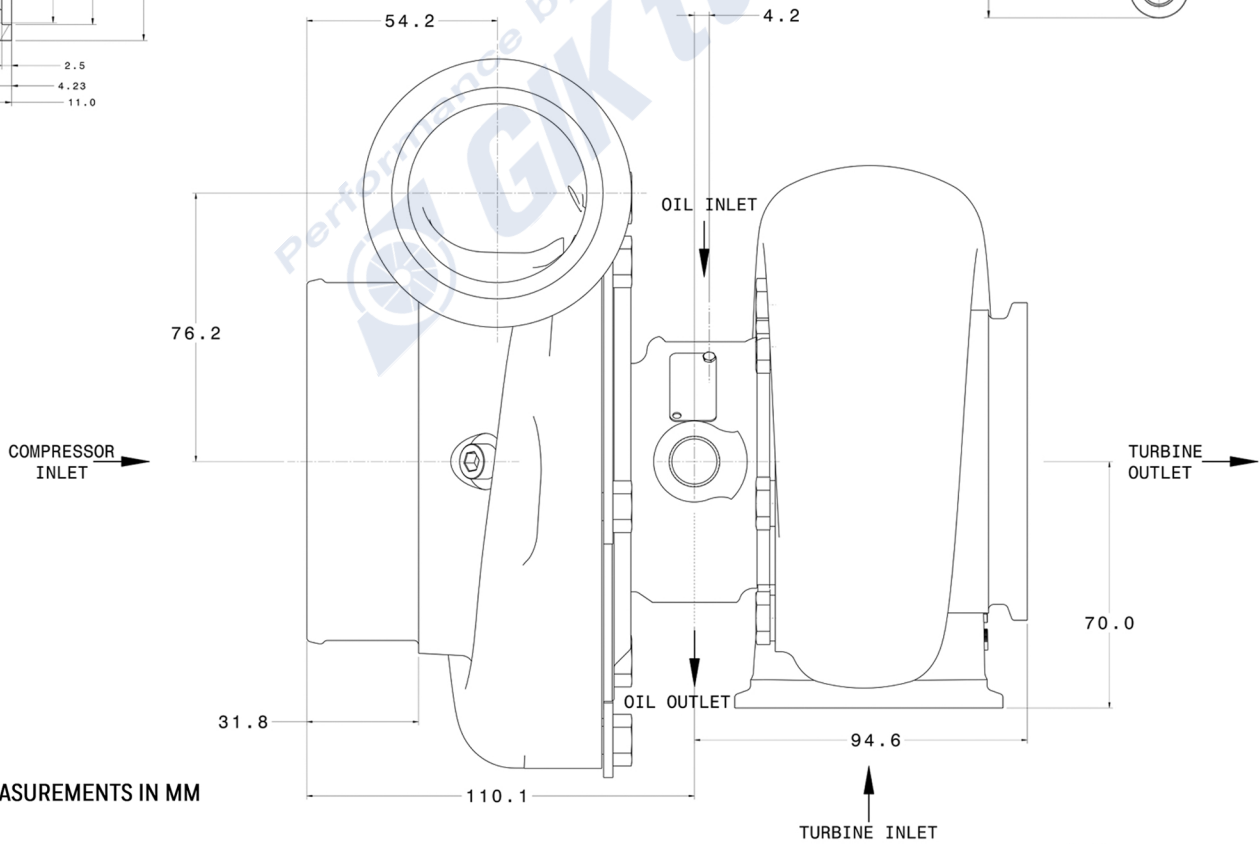
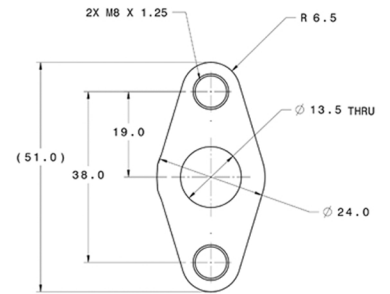
Water
M14 X 1.50



Oil Inlet

0.4375IN-24
THREAD FOR Ø6.35 TUBE
INVERTED FLARE CONNECTION
PER SAE J512 (OIL INLET)

Oil Outlet



ALL MEASUREMENTS IN MM