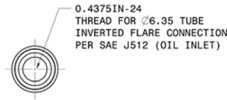
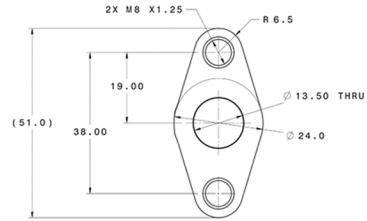


OIL INLET

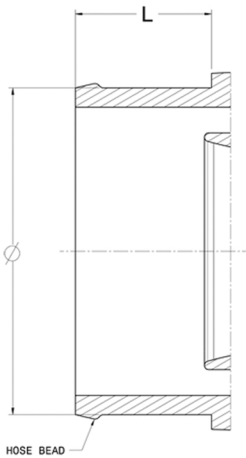


OIL OUTLET



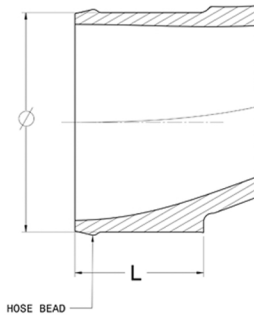
COMPRESSOR INLET

HOSE CONNECTIONS
 $\varnothing 76.2 \times 31.75$



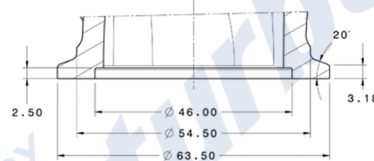
COMPRESSOR OUTLET

HOSE CONNECTIONS
 $\varnothing 51.15 \times 30$



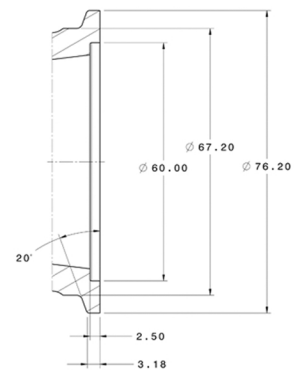
TURBINE INLET

V-BAND CONNECTIONS

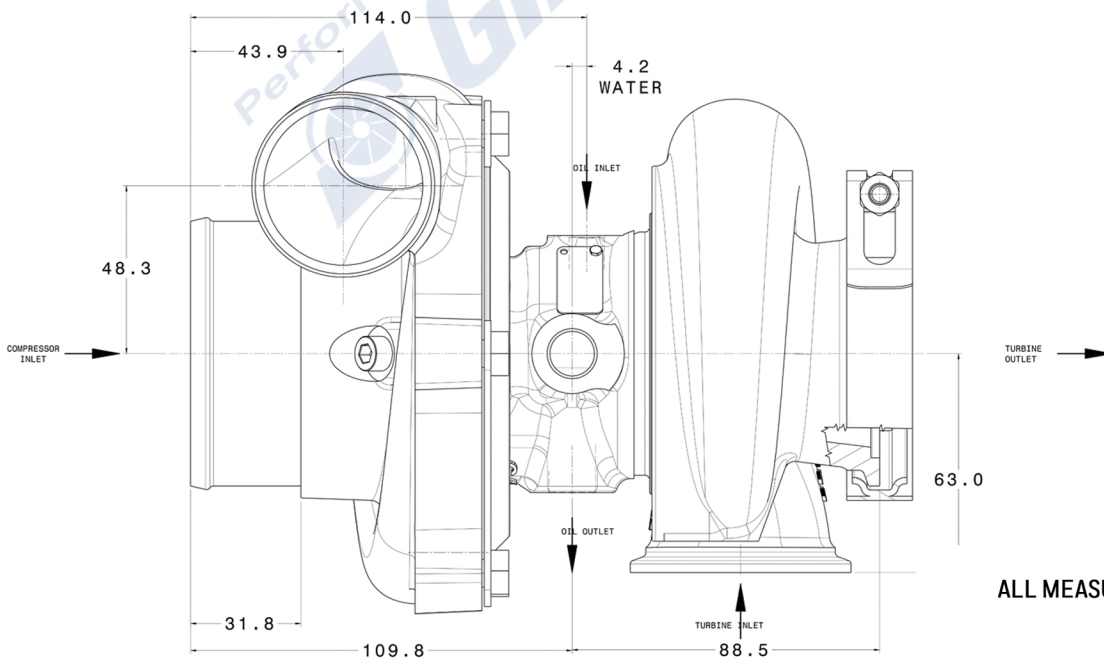


TURBINE OUTLET

V-BAND CONNECTIONS



WATER
M14 X 1.50



ALL MEASUREMENTS IN MM